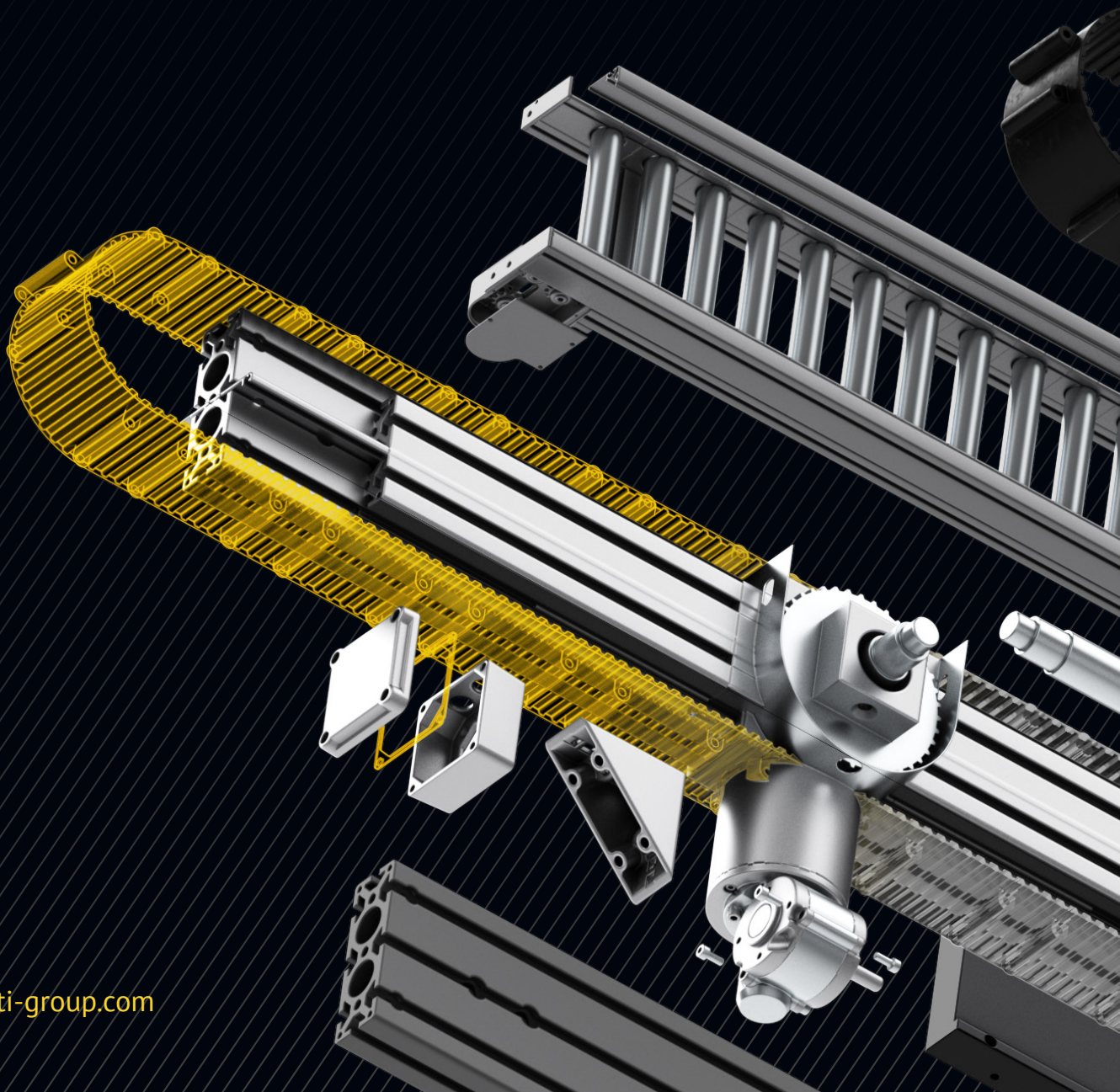


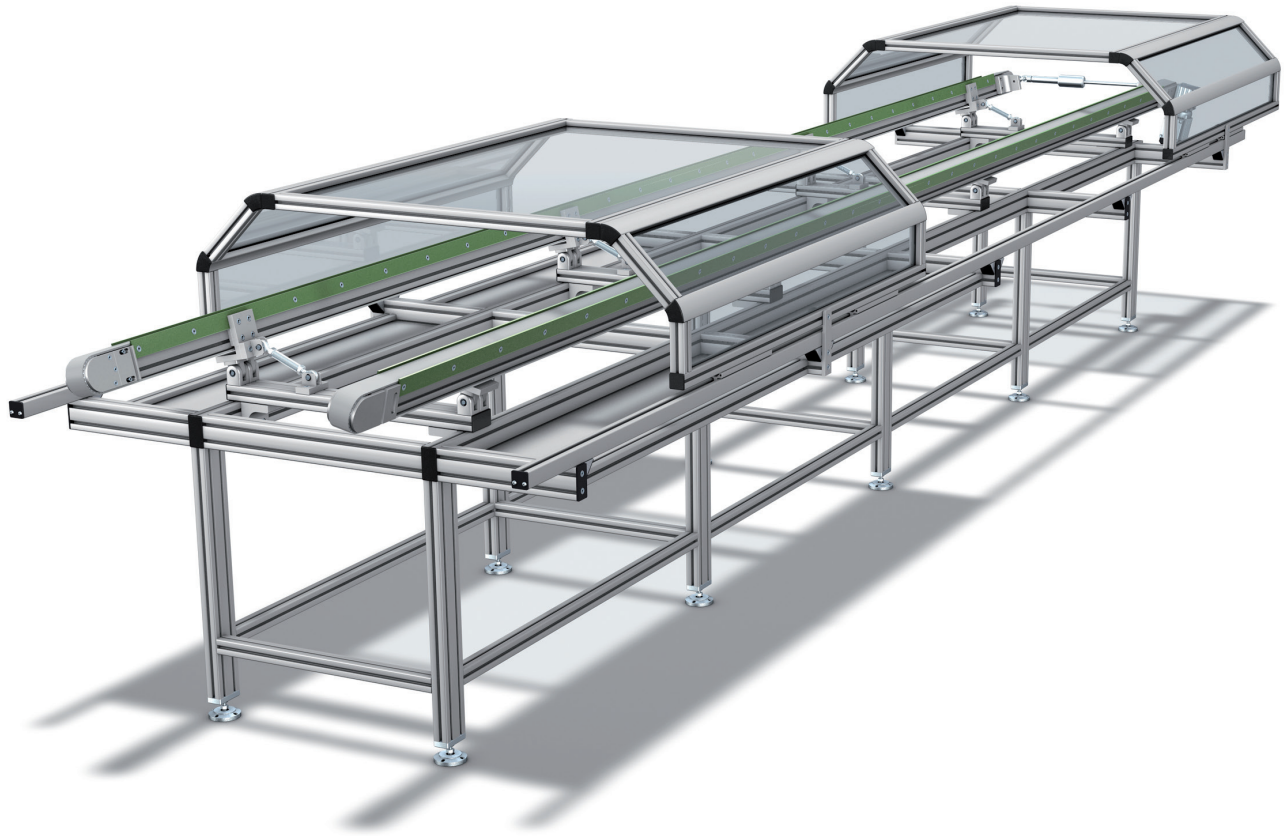
PALETTI

PRECISE, LONG-LASTING, INDIVIDUALLY

CONVEYOR TECHNOLOGY

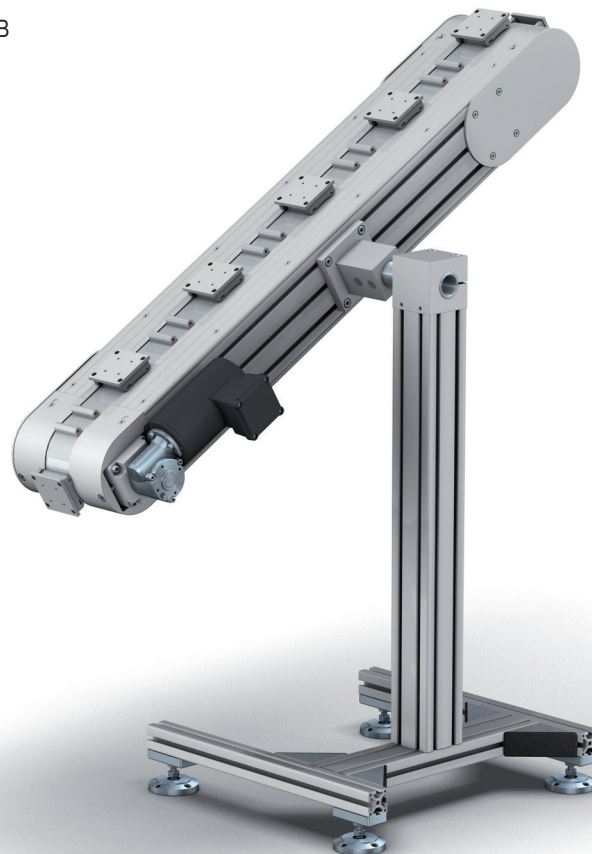


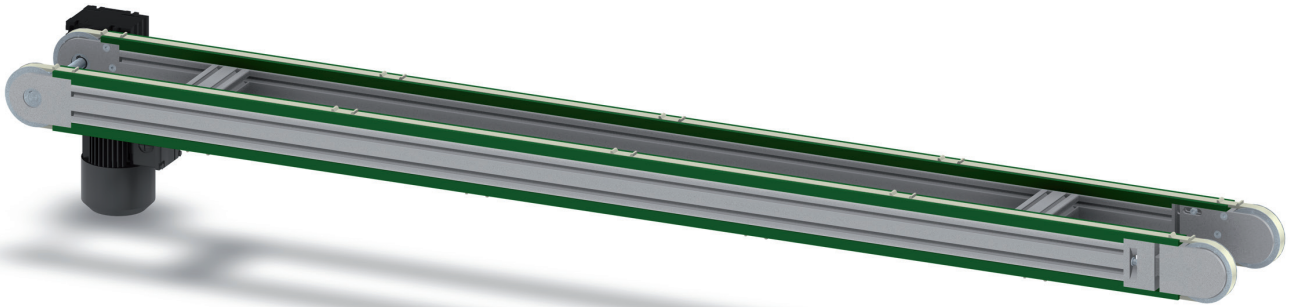
www.paletti-group.com



Timing Belt Conveyor with outer casing

- according to machinery directive 2006/42 EG, appendix II B
- adjustable brackets
- movable grip protection tunnel

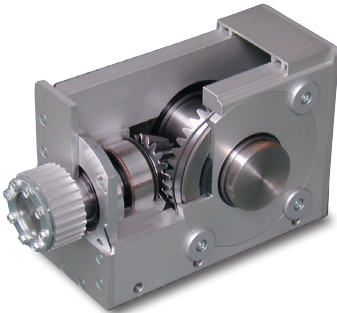
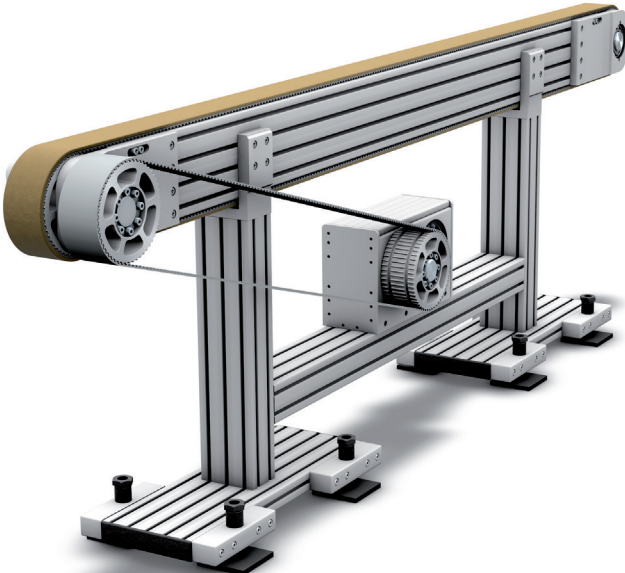




Timing Belt Conveyor

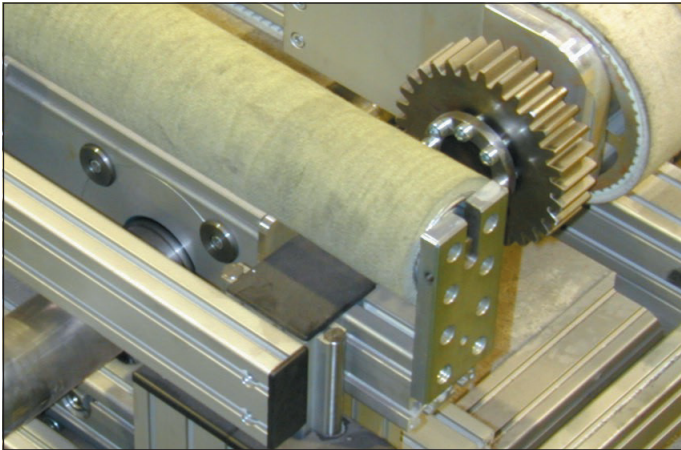
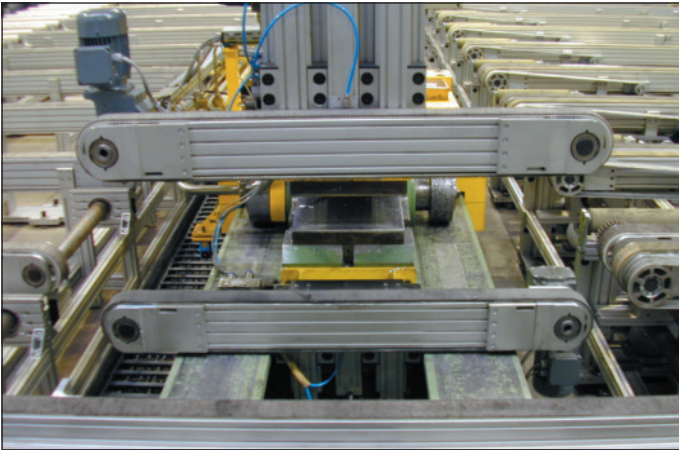
The belt conveyor framework is constructed from the standard range of *Paletti* profiles. The conveyor belts are purchased to customer requirements.

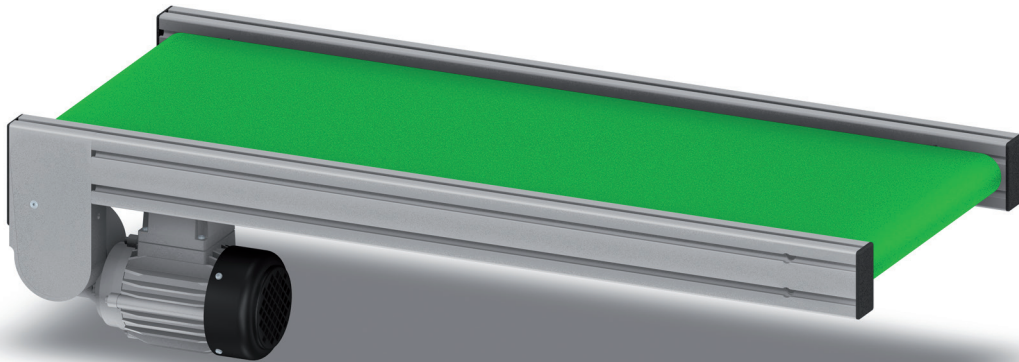
The conveyors have a selection of drive units available to suit most needs. Power is transferred by a gearbox, the conveyor belt is tensioned by two return units.



On request the drive unit may be relocated by a gearbox.

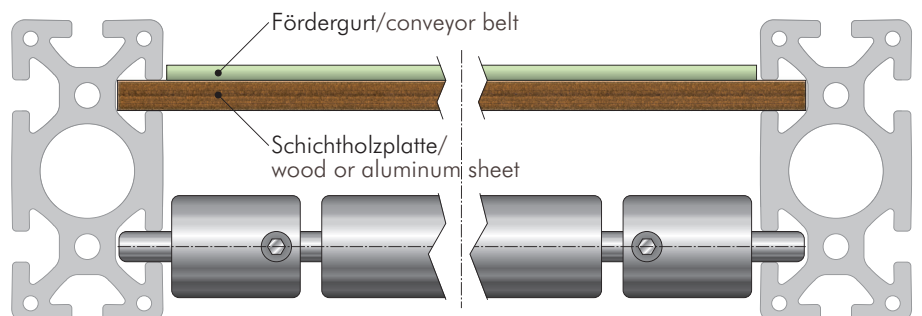
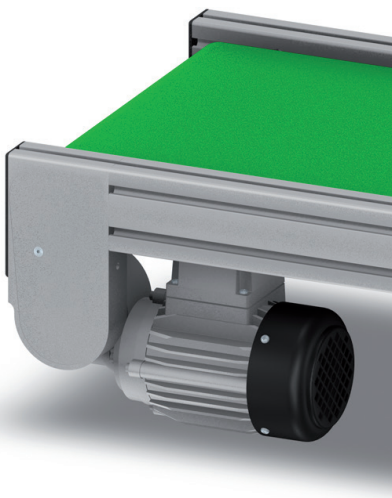
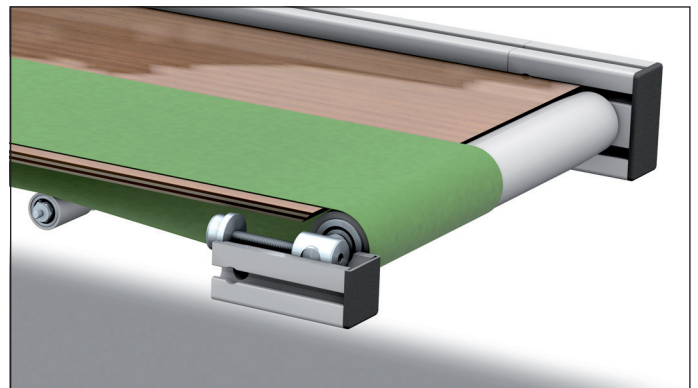
Automated conveyor discharge system





Belt Conveyor

The belt conveyor framework is constructed from the standard range of *Paletti* profiles. Wood or aluminum sheet is used to support the conveyor belt. The conveyor belts are purchased to customer requirements. The drive rollers are ground to a conical finish. The conveyors have a selection of drive units available to suit most needs. Power is transferred by a timing belt or by a drive chain. The conveyor belt is tensioned via two profile belt tensioners.



Superstructure of a belt conveyor.

Motors, with gearbox TD

Part-No	Description	Size
ST0002Z	Motor, with gearbox TD	90 W
ST0004Z	Motor, with gearbox TD	180 W

Application: Drive motor for conveyor systems.

Technical Data: 3 phase motor with gearbox

Output: 90 W (ST0002Z)

180 W (ST0004Z)

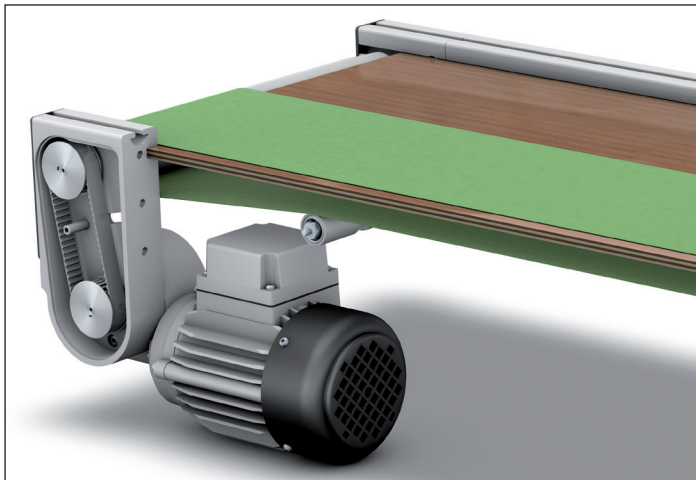
Speed: 1350 Upm

Ratio: $i = 50$, other ratio upon request

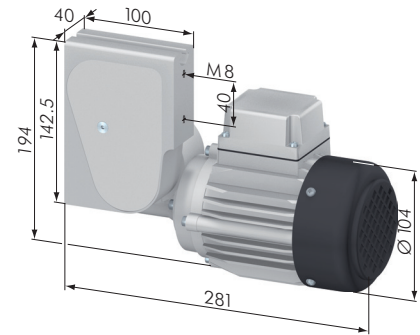
Protection: IP 44

Torque: ST0002Z: 13 Nm ($i = 50$)

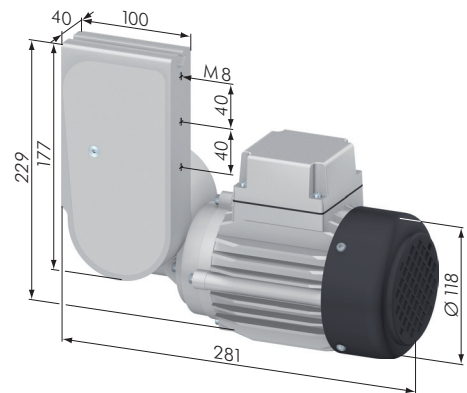
ST0004Z: 32 Nm ($i = 50$)



40



ST0002Z



ST0004Z

Conveyor Roller

Part-No	Description	Weight
ST1000N	Conveyor Roller	

Application: Conveyor roller for conveyor systems.

Material: aluminum, anodized, with a ground conical finish

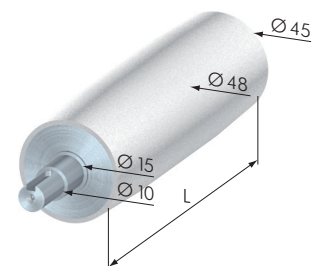
Price list is valid for conveyor rollers up to 300 mm.

Prices for longer conveyor rollers on request.

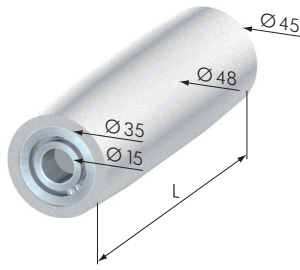
Supply:

- 1x conveyor roller
- 1x fitting key 4 x 4 x 20, DIN 6885
- 1x compensating bearing

40



ST1000N



ST1500N



Return Roller		
Part-No	Description	Weight
ST1500N	Return Roller	

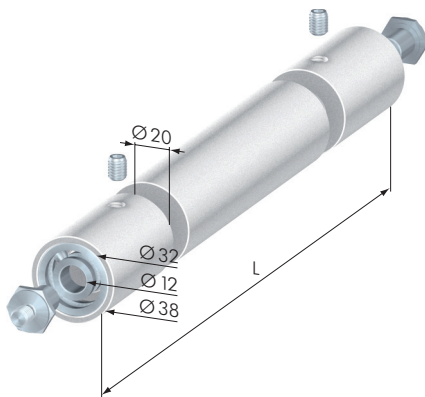
Application: Return roller for conveyor systems.

Material: aluminum, natural anodized, with a conical finish

Supply:

- 1x return roller
- 2x compensating bearing

Price list is valid for conveyor rollers up to 300 mm.
 Prices for longer conveyor rollers upon request.



ST2000N



Idler Roller		
Part-No	Description	Weight
ST2000N	Idler Roller	

Application: Prevents the sagging of the conveyor belt.

Material: aluminum, natural anodized

Supply:

- 1x idler roller
- 2x grooved bearing
- 2x axle journal; steel, zinc-plated

Acc.:

- 2x SV2002V t-nut M 8 / ball-type, slide-in

Price list is valid for conveyor rollers up to 300 mm.
 Prices for longer conveyor rollers on request.

The tensioning screw for the conveyor belt is situated behind the profile cap in the 25 bore of the profile.



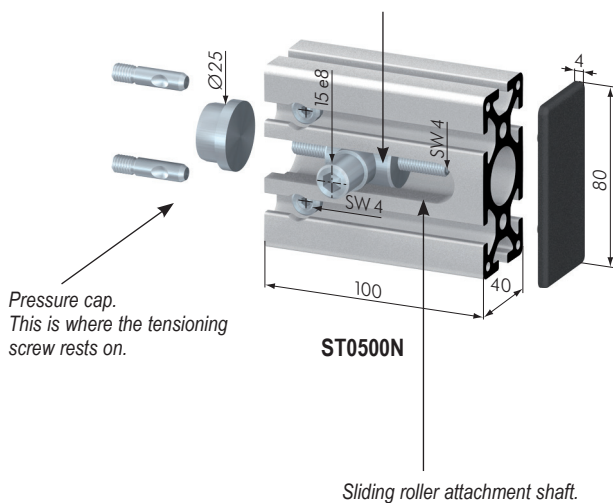
Conveyor Belt Tensioner		
Part-No	Description	Weight
ST0500N	Conveyor Belt Tensioner	637 g

Application: For tensioning conveyor belts with fastening kit and profile cap.

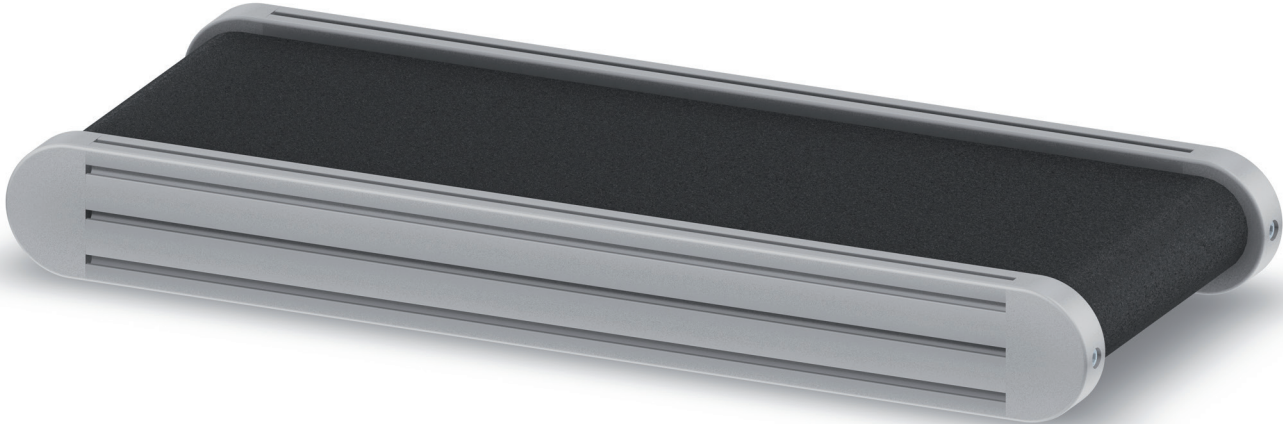
Material:

- casing: aluminum, natural anodized
- pressure cap: steel, zinc-plated
- tensioning screw: steel, zinc-plated
- central fastener 40 G: steel, zinc-plated

Technical Data: horizontal adjustment: 0 - 29 mm



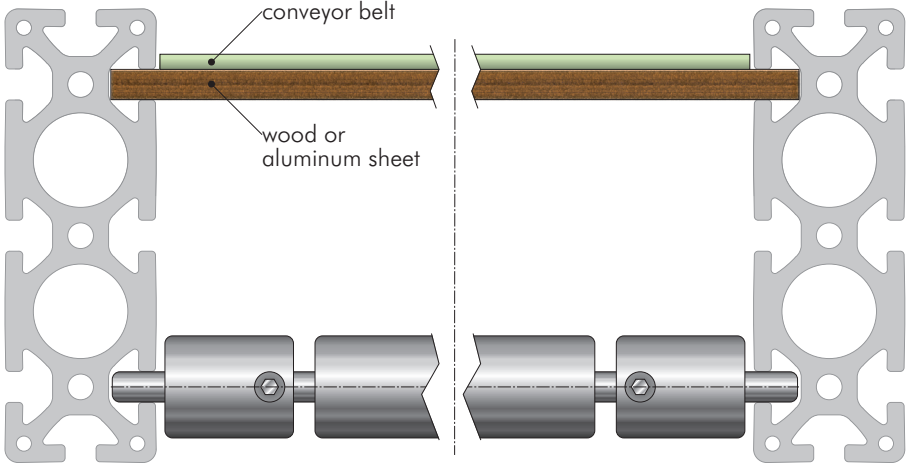
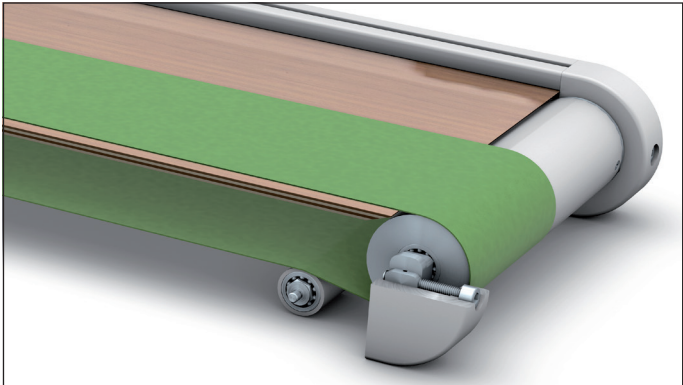
ST0500N



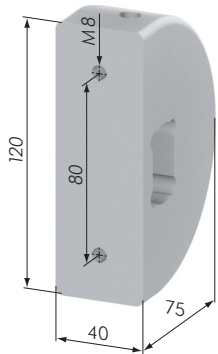
Belt Conveyor With Drum Motor

The belt conveyor framework is constructed from the standard range of *Paletti* profiles. Wood or aluminum sheet is used to support the conveyor belt. The conveyor belts are purchased to customer requirements. The drive rollers are ground to a conical finish.

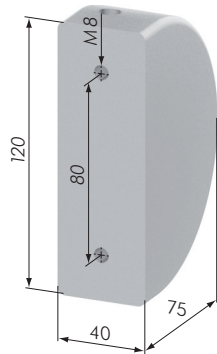
A drum motor is used for the drive unit, so that power is transmitted directly to the conveyor belt which is tensioned by the non-powered return unit as well as by two idler rollers.



Superstructure of a belt conveyor with drum motor.



ST0610N



ST0611N

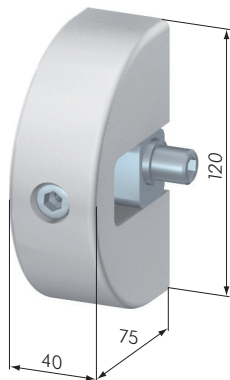
40

Drive Unit Admittance DM

Part-No	Description	Weight
ST0610N	Drive Unit Admittance DM, left	
ST0611N	Drive Unit Admittance DM, right	

Application: For admitting of the drum motor.

Material: aluminum, natural anodized



ST0600N

40

Return Unit DM

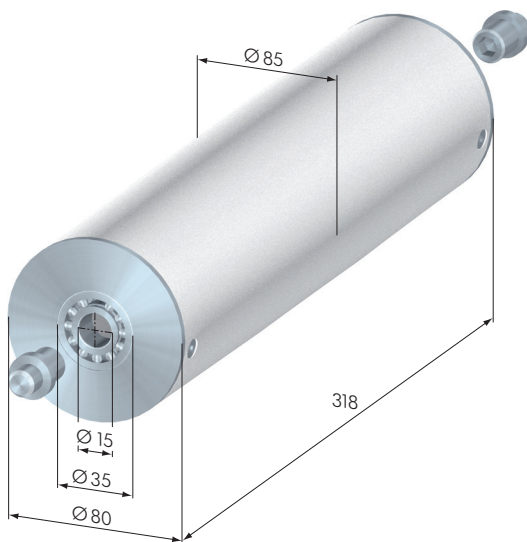
Part-No	Description	Weight
ST0600N	Return Unit DM	

Application: For the admittance of the return roller $\varnothing 85$.

Material: aluminum, natural anodized

Supply:

- 2x return unit
- 2x clamping block
- 2x cap head screw, DIN 912



ST1600N

40

Return Roller $\varnothing 85$

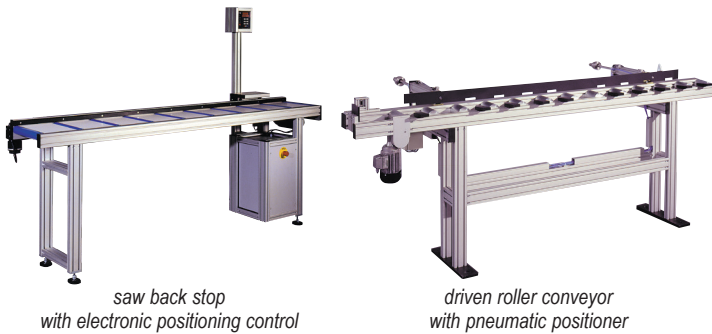
Part-No	Description	Weight
ST1600N	Return Roller $\varnothing 85$	

Application: Return roller for belt conveyor systems with drum motor.

Material: aluminum, natural anodized; with a conical finish

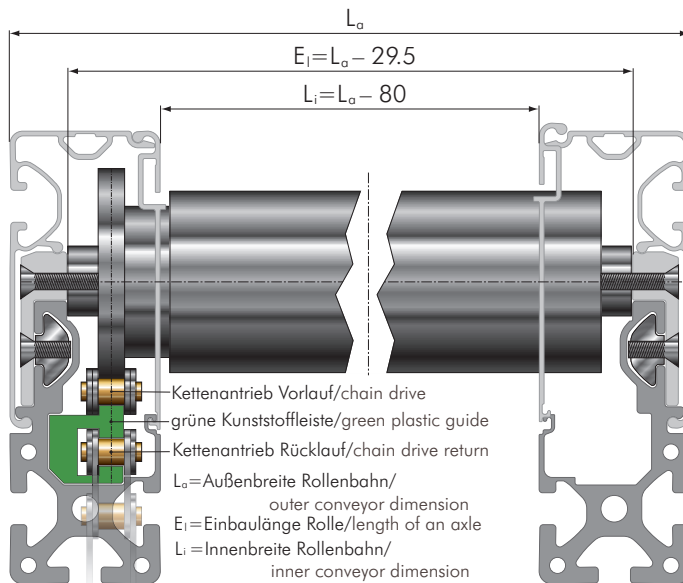
Supply:

- 1x return roller
- 2x compensating bearing, DIN 630
- 2x axle journal; steel, zinc-plated



Driven Roller Conveyor

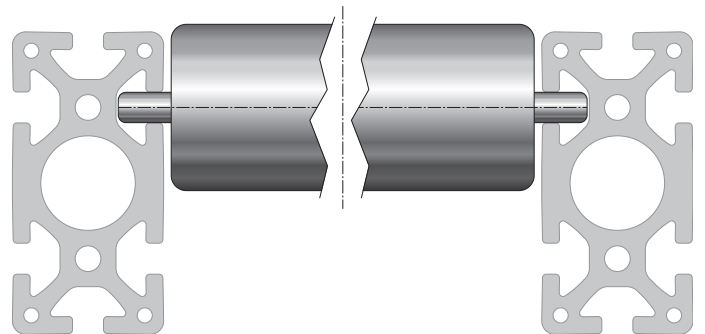
For driven roller conveyors, *Paletti* produces a specific profile, which consists of four individual profiles that when clipped together add up to a complete roller conveyor profile.



Superstructure of a driven roller conveyor. The rollers are powered by a drive chain.

Non-Driven Conveyor

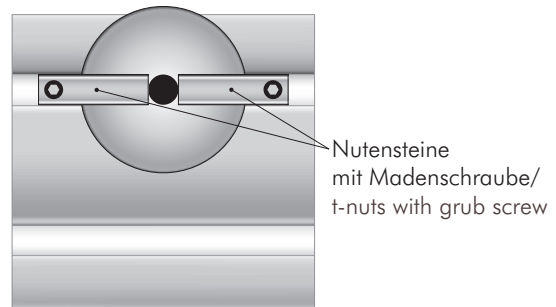
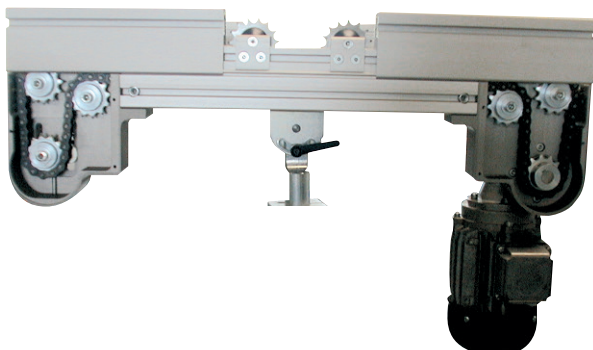
With the wide range of *Paletti* standard systems, in conjunction with some additional systems, any conveyor or transport job can be accomplished.



Superstructure of a non-driven roller conveyor. The fixation of the roller axle occurs via t-nuts with grub screw.

chain tensioner

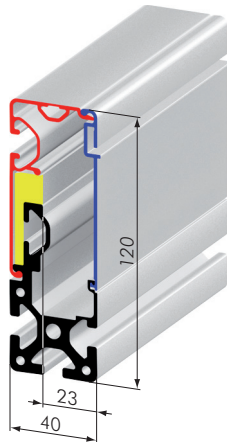
drive unit



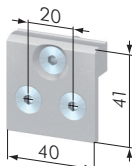
J Conveyor Systems

10 Roller Conveyor Profile, Fastening Sets, Protective Covers

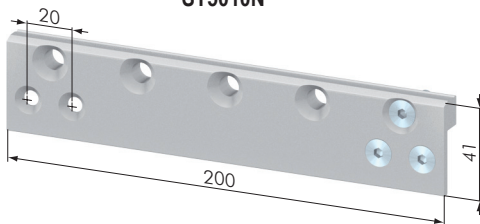
PALETTI



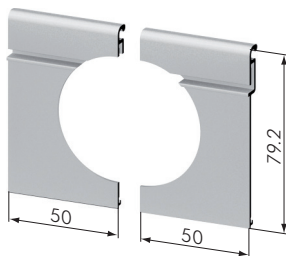
SP0801N



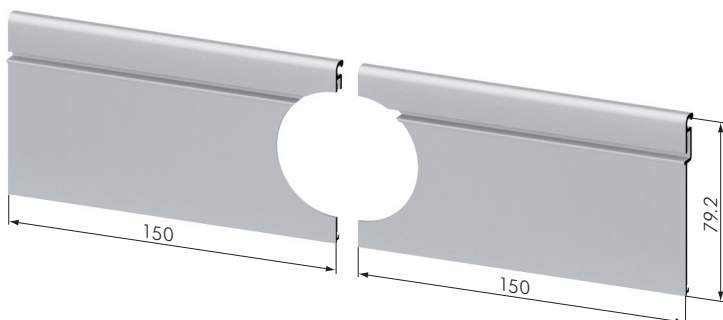
ST5010N



ST5012N



ST5000N



ST5002N



40 Roller Conveyor Profile

Part-No	Description	Weight
SP0801N	Roller Conveyor Profile, natural	4,11 kg/m
	Roller Conveyor Support Profile, natural	2,33 kg/m
	Roller Conveyor Wall Profile, natural	0,39 kg/m
	Roller Conveyor Housing Profile, natural	0,66 kg/m
	Roller Conveyor Cover Profile, natural	0,73 kg/m

Application: Powered roller conveyor.

Material: aluminum, natural anodized



40 Roller Fastening Sets

Part-No	Description	Weight
ST5010N	Roller Fastening Set 40	47 g
ST5012N	Roller Fastening Set 200	138 g

Application: The roller fastening set is used to fasten the load-bearing rollers onto the roller conveyor profile.

Material: aluminum, natural anodized

Supply: special t-nuts and screws



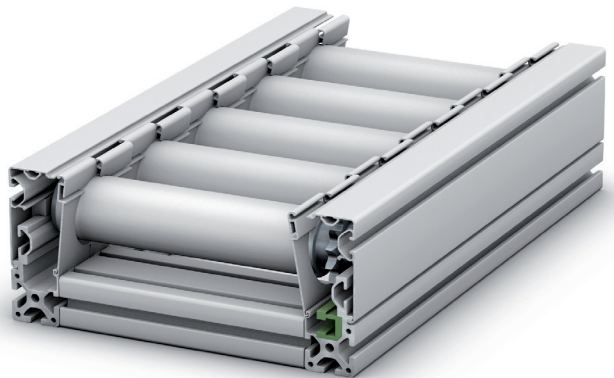
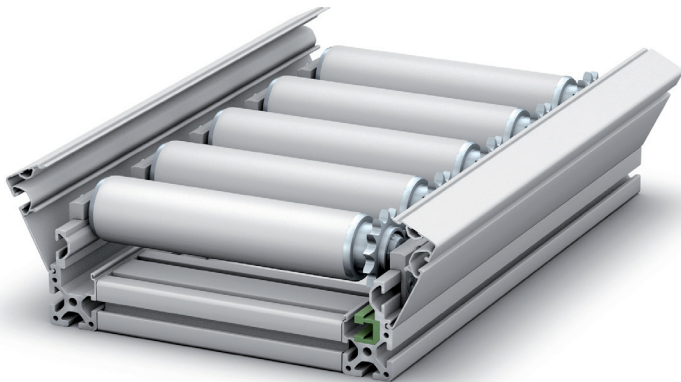
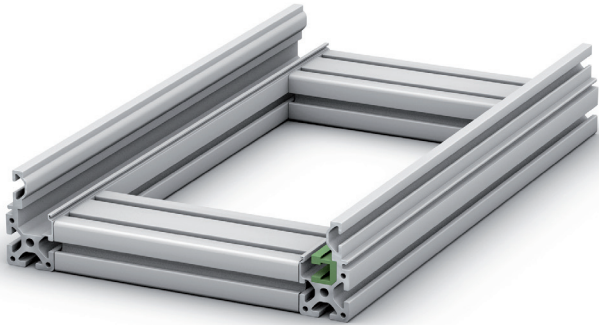
40 Roller Protective Covers

Part-No	Description	Weight
ST5000N	Roller Protective Cover 80 / 50	14,4 g
ST5002N	Roller Protective Cover 80 / 150	118,5 g

Application: For the protection of the conveyor chain drive from dirt and dust.

Material: aluminum, natural anodized

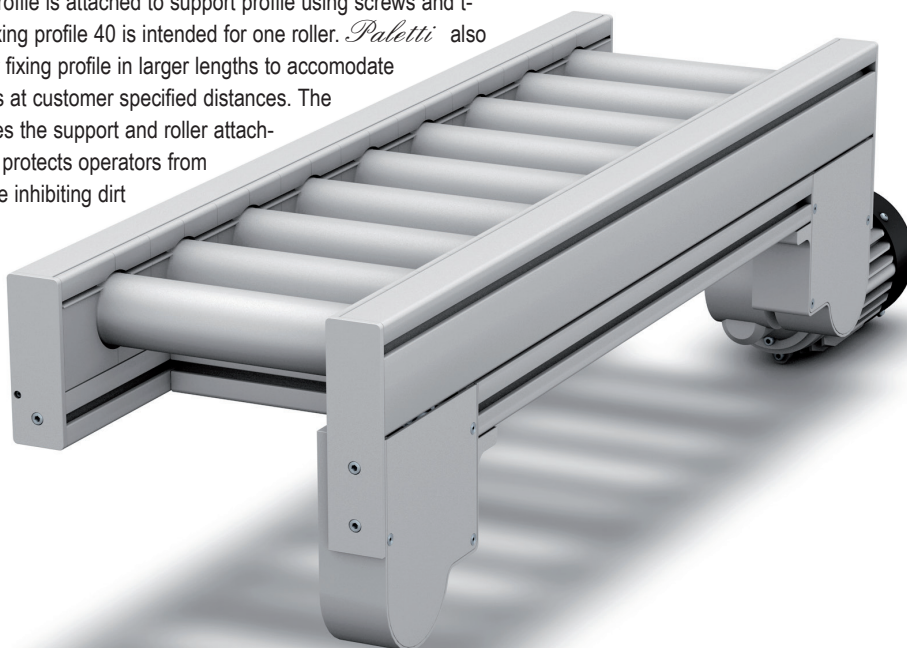
Supply: One roller uses one left and one right cover.



The roller conveyor profile comprises of four separate profiles that when clipped together make one profile. The support profile forms the frame onto which all the other profiles are attached. Roller conveyors are quickly assembled using *Paletti* clip technology. They can also be quickly disassembled or changed even when they are part of a larger structure or machine installation.

The inside edge cover profile closes the chain drive and roller sprockets from conveyed products and also provides operator safety from moving parts. The profiles use the same clip technology as the other profiles. The protective cover set 80/50 consists of two short profiles 50 mm long. The protective cover set 80/150 consists of two longer profiles 150 mm long. Customer specific protective cover profiles are available on request.

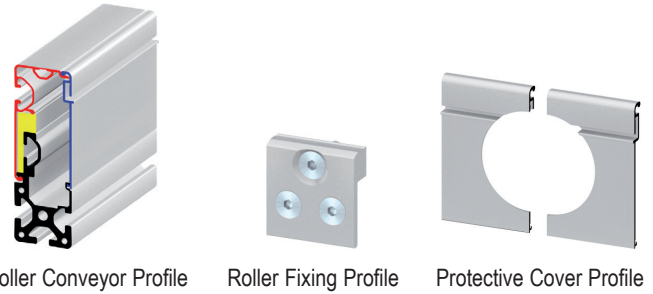
The roller fixing profile is attached to support profile using screws and t-nuts. The roller fixing profile 40 is intended for one roller. *Paletti* also supplies the roller fixing profile in larger lengths to accommodate positions of rollers at customer specified distances. The cover profile closes the support and roller attachment profiles and protects operators from moving parts while inhibiting dirt accumulation.



System Components

The (driven) roller conveyor consists of the roller conveyor profile SP0801N, the roller protective cover (chain drive), conveyor housing and load-bearing roller with chain wheel.

The processing speed averages $V_{max} = 1,2 \text{ m/s}$.



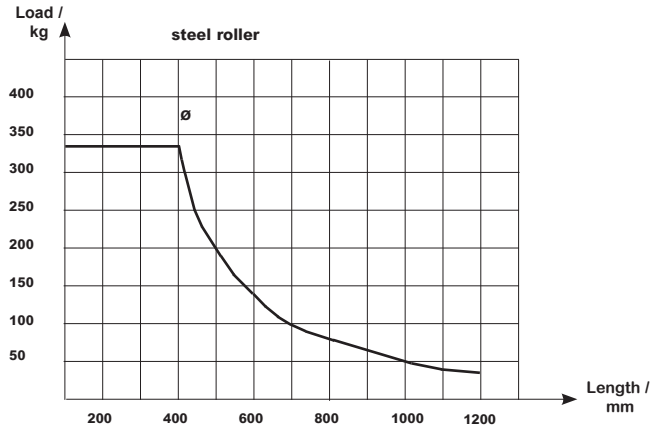
Roller Conveyor Profile Roller Fixing Profile Protective Cover Profile

Load-Bearing Capacity

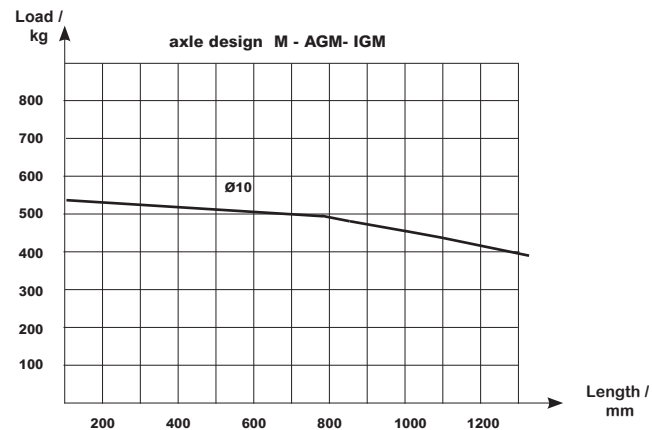
The diagrams only apply to a static surface load, for a point loading at bearing locations, the surface loading values apply. For middle loading, the values taken have to be multiplied by 0.6.

The load-bearing capacity of the bearings used is 100 kg.

The bearing tolerances in the roller and axle must be added when calculating loadings.



static load-bearing capacity: steel roller



static load-bearing capacity: axle



Technical Details

The weight per meter of the used roller – $\varnothing 50 \times 1.5$ wall thickness – averages 1.794 kg. The $\varnothing 10$ mm steel roller is made of 9S20K (steel) and is galvanically zinc-plated and has an internal thread M 6 x 10. The advantages of the used roller are high strength, temperature, and cleaning qualities. The material is also resistant to UV radiation, oil, grease, petrol and other chemicals.

Load-Bearing Roller User Conditions

There must always be a minimum of three axles per static load. For middle or two-point loading, the values have to be multiplied by a factor of 0.6.

The load-bearing capacity averages 100 kg per roller. The load bearing roller is provided with a chain wheel $1/2" \times 5/16"$ for the fixed drive chain.

Paletti catalogs available on <https://paletti-group.com/media-center/>



Paletti Profilsysteme GmbH & Co. KG

Gewerbepark Meißen 17
D - 32423 Minden

+49 (5 71) 38 73 03 - 0
sales@paletti-group.com
www.paletti-group.com

General terms and conditions:
<https://paletti-group.com/agb/>

Concept, Design, Realization and Photos

Every effort has been made to ensure that the information in this product overview is accurate at the time of issues. Nevertheless Paletti cannot accept liability in respect of any errors or omissions herein. Reproduction, including extracts, is permitted only with our written consent. Changes, in the sense of technical improvements, reserved.

© 2023 Paletti Profilsysteme GmbH & Co. KG

